



- Commercial**
- Retail**
- Counter & Cabinet**
- Domestic**



# BUILT-ON STEEL COMMERCIAL SECURITY SHUTTERS TECHNICAL GUIDE - CONTINENTAL DESIGN

## General

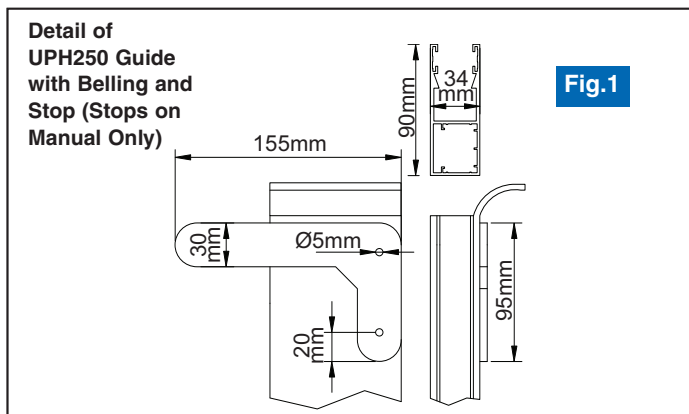
**CE** A shutter with a neat continental style head box and aluminium guides for higher grade installations, the design facilitates easier installation than traditional shutters. SECEUROSHIELD 7500 and SECEUROVISION 7500 are compliant with the latest European product directives and standards including BSEN 13241-1 applicable from the 1st May 2005.

- Aluminium guide width 90mm.
- Sizes, specification and motor rating are designed for window protection, if there is no further protection behind the shutter then maximum sizes must be reduced.

	Max Height (to top of box)	Minimum Overall Width	Maximum Overall Width	Maximum Area
<b>Electric</b>	3.4m	1.0m	6.0m	15m.sqr
<b>Manual</b>	2.8m	1.0m	4.0m	8m.sqr

## Guide Channels

- Aluminium UPH250 guides. Mill finish as standard.
- Guides pre-drilled for face or reveal fix as required.
- Removes need for angle or additional step off box section making installation easier and neater.



- Guides belled to aid curtain movement.
- Stops supplied loose to be rivetted onto the guides as required with steel rivets (manual only).

## Head Plates

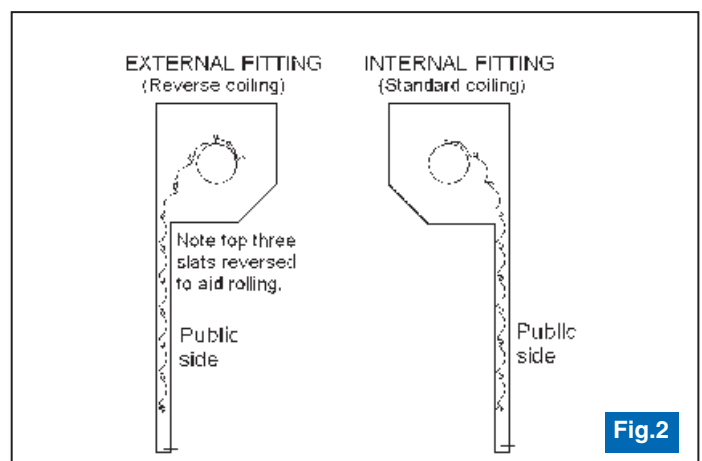
Standard Coiled (internal fit)	Reverse Coiled (External fit)	Head Plate Size (mm)
2.0m	1.2m	250 x 250
2.8m	2.5m	300 x 300
3.4m	3.4m	350 x 350

- 3mm galvanised steel, 45 degree chamfered profile. Return flange for easy fitting to wall.
- Lug on headplates to locate with guides easily (fig. 5).

- On shutters that are so large as to necessitate the use of a motor above 120Nm, (approximately over 17.2sqm), then the layout of the shutter will differ to standard (see chart on page 4 for selection).
- For reveal fix shutters this will involve using 30mm x 30mm box section (supplied) to bring the guide, on the motor side off the wall. This will allow for the larger motor (fig. 7).
- For face fix shutters no box section is required to bring the head plate off the guide, instead the head plate is extended by 30mm from the guide to allow for the larger motor (fig. 8).

## Curtain

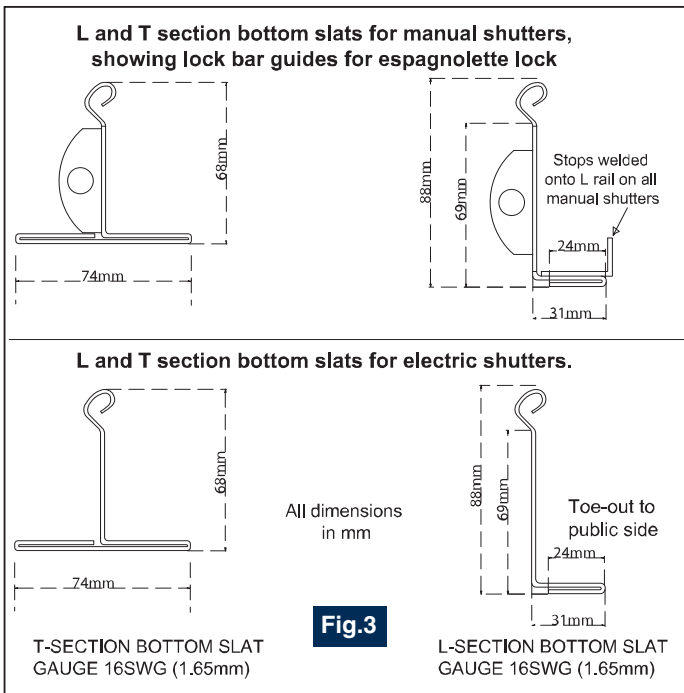
- 75mm 22swg galvanised solid or perforated slats.
- Curtain is fully endlocked with nylon endlocks. Steel endlocks available at a surcharge.
- Curtain is reverse coiled on external shutters.
- The top three slats on reverse coiled curtains will be reversed to aid rolling of the curtain round the axle.
- Curtain attached to axle with 400mm attachment strips attached to the axle 250mm from each end and then every 500mm with M8 bolts.
- Perforated curtains will have approximately four solid slats at the top of the curtain to aid rigidity.
- Curtains will be despatched in sections no greater than 50kg.



# Continental Commercial Shutter

## Bottom Slat

- Galvanised L or T section, please indicate on order form.
- T section more secure but needs more clearance



## Motor & Controls



- Single phase tubular motor (not suitable for frequent or continuous use).
- Surface mounted internal switch supplied as standard.
- Keyswitches available at a surcharge.
- Maximum current draw is 3Amp.
- Manual override facility can be specified at a surcharge (hook and eye as standard with 1100mm crook).
- Battery back ups are available at a surcharge.
- SeceuroSmart remote control available with bottom slat safety edge. The SeceuroSmart includes a bulk head light and integral controls on the receiver lid.
- SeceuroSmart Professional, hold to run, remote control available without bottom slat safety edge. The SeceuroSmart Professional does not include a bulk head light or integral controls on the receiver lid.
- Anti-drop brakes are supplied as an anti-fall back device when required. The anti-drop brake may include a micro limit switch which will require wiring into the electric control circuit (see charts on back page).

## Manual Operation

- The axle is supplied pre-tensioned with a pin locking the axle. (On site adjustment may be required)
- Direction and turns are indicated on the axle.
- We do not recommended springing above the stated maximum size.
- A second spring is supplied as an anti-fall back device when required (see charts on back page).

## Locks - Electric

- Electric commercial shutters only rely on their own weight to lock, however bullet locks are available at a surcharge if required.
- Optional isolator box highly recommended if bullet locks are used.
- Optional bullet locks are fitted 345mm from the base of the shutter, two keys per bullet lock supplied.

## Locks - Manual

- Espagnolette lock in bottom slat as standard. Two keys supplied.
- Bullet locks available at a surcharge
- Bullet locks attached onto guides 345mm from the base of the shutter. Two keys supplied with each bullet lock.

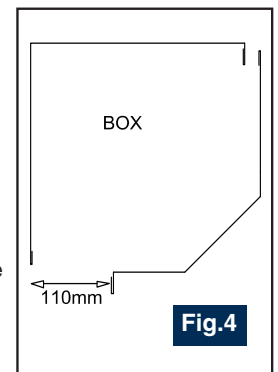
## Axle

- Corrosion treated axle.
- For safety the dummy end of the axle is fixed rigidly to the headplate and turns in the axle.
- Dummy end shaft adjusts by approximately 90mm.
- Anti-fall back devices are required for shutters installed over doorways when the shutter curtain weight exceeds 26.5kg (see charts on back page).



## Box

- Aluminium box as standard: white or dark brown as standard (or powder coated to RAL colours at a surcharge) up to and including head plate size of 300mm
- For headplate sizes of 350mm a 1mm thick galvanised steel box will be used. A three part aluminium box will become available during Autumn / Winter 2005.
- For ease and speed of installation the box, headplates, and axle will be supplied as one unit ready to install onto the guides

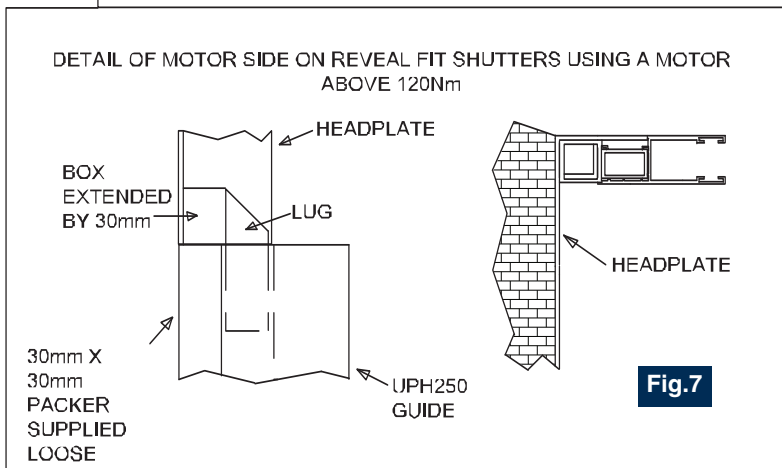
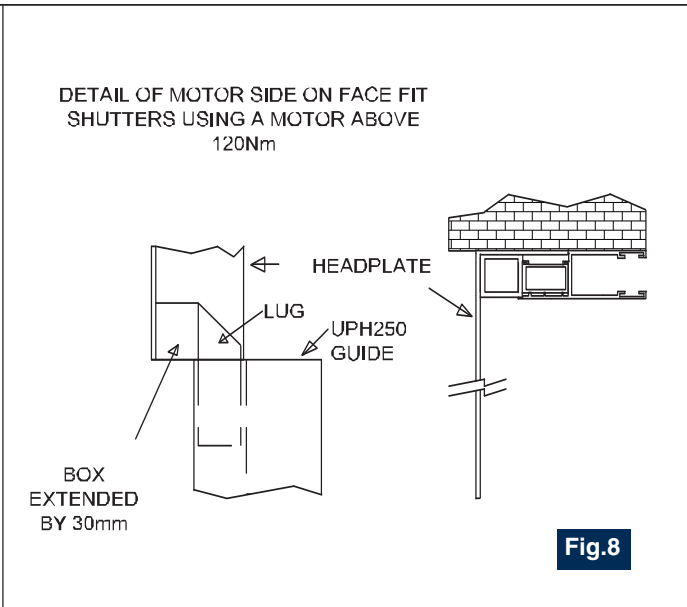
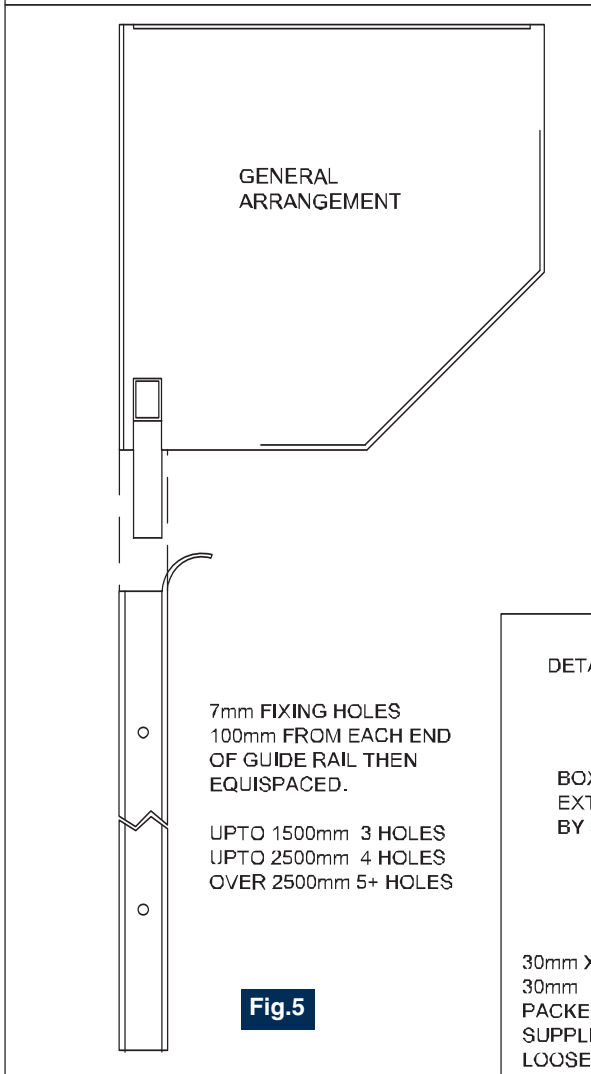
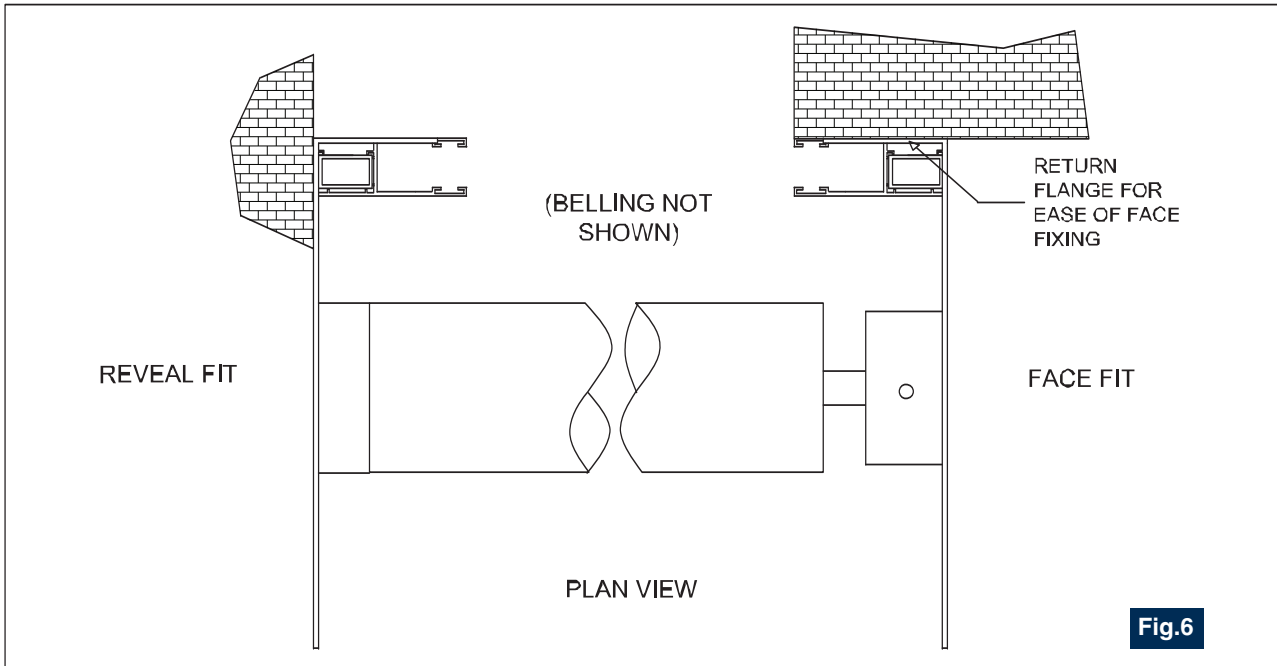


## Finish

- Optional plastisol curtain or powder coated finish on components as required (at a surcharge).
- Plastisol finish on curtains will be on external side of shutter.

## Installation Notes

- It is important that the headplates can be securely fixed to the wall.
- Curtains greater than 50kg are despatched in sections and will require assembling on site.
- Due to the nature of commercial slats the curtain level may not always be consistent.
- Commercial slats are designed to roll in both directions. It is therefore not possible to use them to physically lock the curtain down.



# Continental Commercial Shutter



## Manual Operation - Solid curtain

Width (m)

Box size		Width (m)																Box size		
Internal	Height	10	12	14	16	18	20	22	24	26	28	30	32	34	36	38	40	External	Height	
250 upto 2m	10																	10	250 upto 1.2m	10
	12																	12		12
	14																	14		14
	16																	16		16
300 upto 2.8m	18																	18	300 upto 2.5m	18
	20																	20		20
	22																	22		22
	24																	24		24
350 upto 2.8m	26																	26	350 upto 2.8m	26
	28																	28		28

## Manual Operation - Perforated curtain

Width (m)

Box size		Width (m)																Box size		
Internal	Height	10	12	14	16	18	20	22	24	26	28	30	32	34	36	38	40	External	Height	
250 upto 2m	10																	10	250 upto 1.2m	10
	12																	12		12
	14																	14		14
	16																	16		16
300 upto 2.8m	18																	18	300 upto 2.5m	18
	20																	20		20
	22																	22		22
	24																	24		24
350 upto 2.8m	26																	26	350 upto 2.8m	26
	28																	28		28

**KEY**

- (window) or (door)
- (window) or (door with anti-drop brake)
- window only, can not be a door

## Continental Electric Operation - Perforated curtain

Width (m)

Box size		Width (m)																								Box size				
Internal	Height	10	12	14	16	18	20	22	24	26	28	30	32	34	36	38	40	42	44	46	48	50	52	54	56	58	60	External	Height	
250 upto 2m	10																											10	250 upto 1.2m	10
	12																											12		12
	14																											14		14
	16																											16		16
300 upto 2.8m	18																											18	300 upto 2.5m	18
	20																										20	20		
	22																										22	22		
	24																										24	24		
350 upto 3.4m	26																										26	350 upto 3.4m	26	
	28																										28		28	
	30																										30		30	
	32																										32		32	
	34																										34	34		

## Continental Electric Operation - Solid curtain

Width (m)

Box size		Width (m)																								Box size				
Internal	Height	10	12	14	16	18	20	22	24	26	28	30	32	34	36	38	40	42	44	46	48	50	52	54	56	58	60	External	Height	
250 upto 2m	10																											10	250 upto 1.2m	10
	12																											12		12
	14																											14		14
	16																											16		16
300 upto 2.8m	18																											18	300 upto 2.5m	18
	20																										20	20		
	22																										22	22		
	24																										24	24		
350 upto 3.4m	26																										26	350 upto 3.4m	26	
	28																										28		28	
	30																										30		30	
	32																										32		32	
	34																										34	34		

**KEY**

- (window) or (door)
- (window) or (door with anti-drop brake)

Design amended due to larger motor

